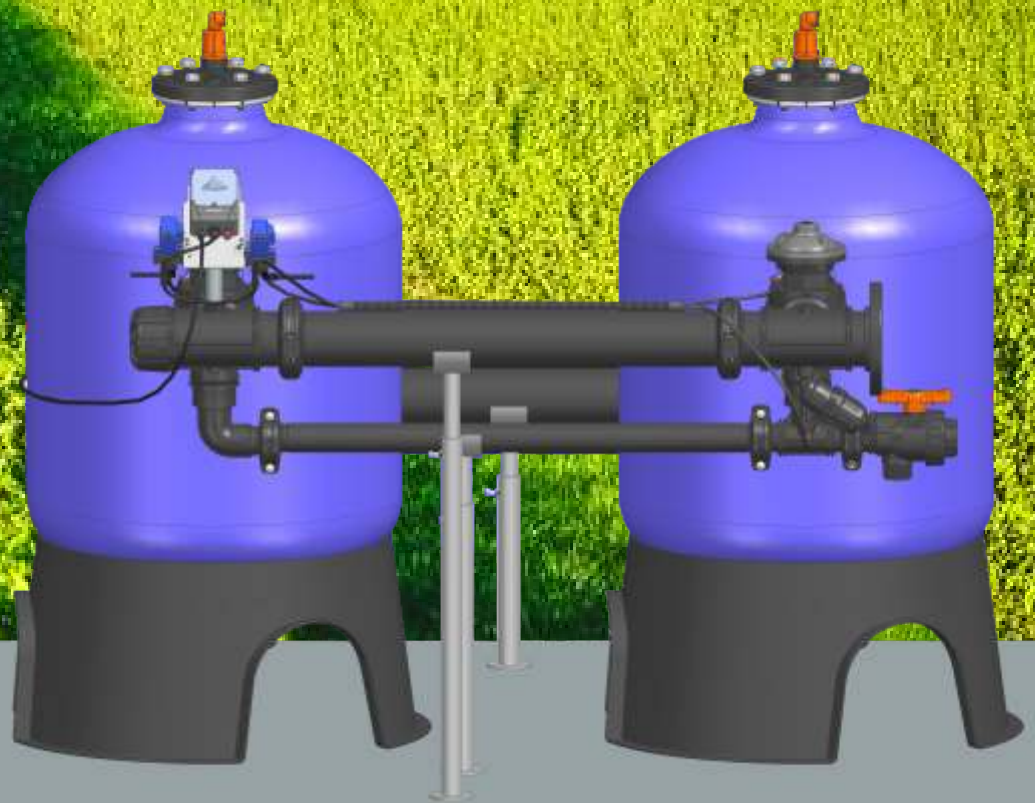


Mach Clean

Automatic Twin Sand Media Filters



CORROSION-FREE
5 YEAR
WARRANTY*

Corrosion-free polymeric technology

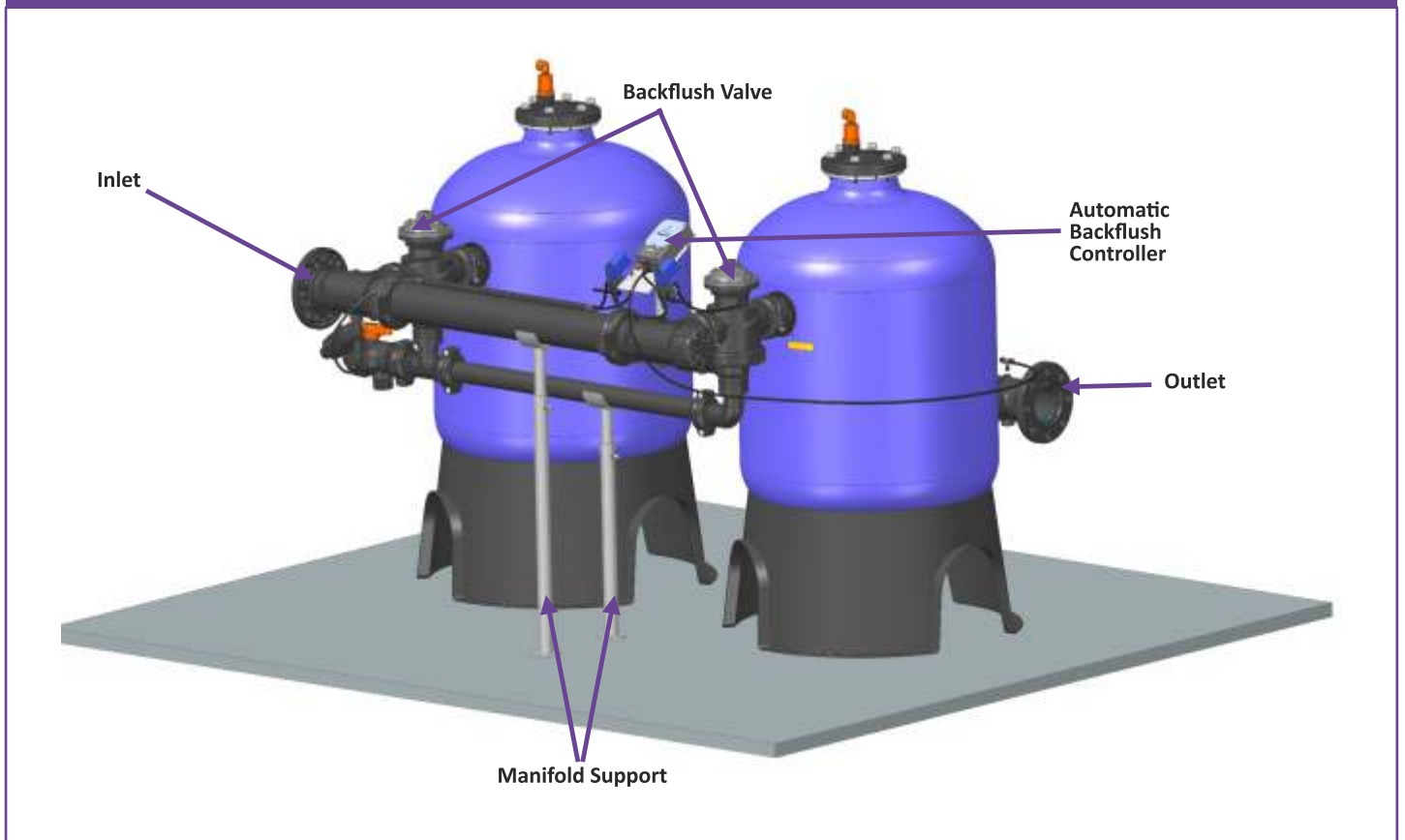
Application

- Primary filtration to protect drip & micro-irrigation systems and prevent emitters from plugging.
- For filtering surface water from open sources like - an open well, pond, river, or lake, which often contains organic biological contaminants, silt, clay, ferrous and manganese.
- Suitable to use with fertilizers and acids.

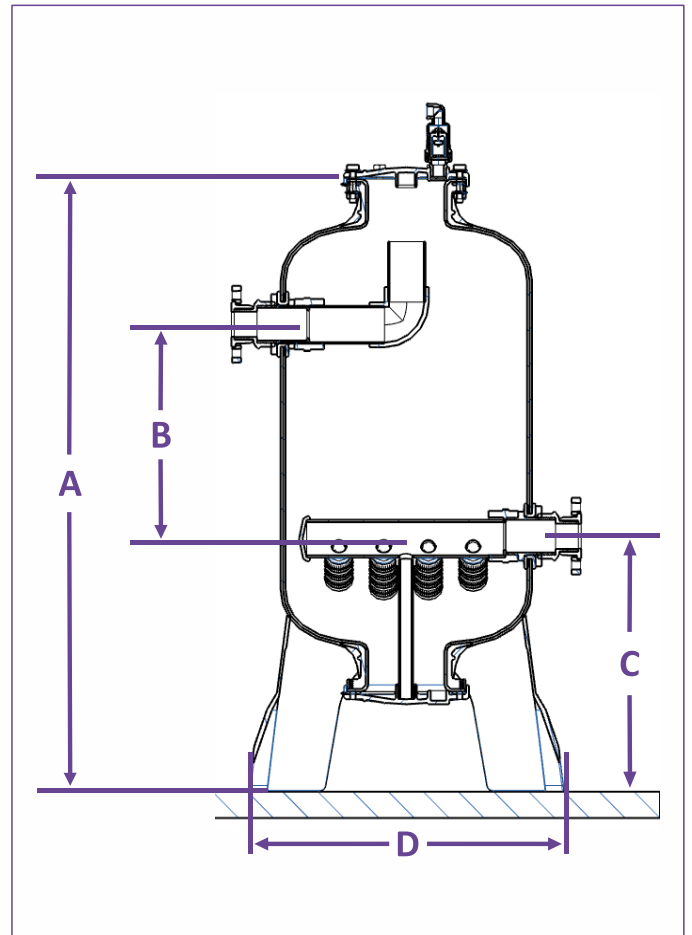
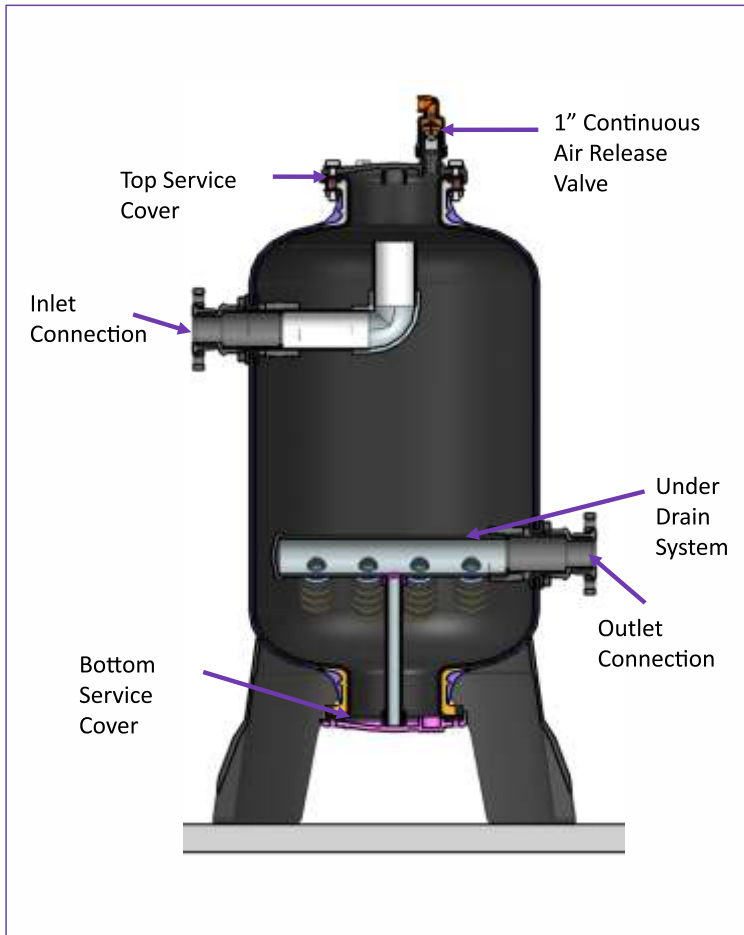
Features and Benefits

- **Corrosion-free 5 years warranty:** Cutting-edge advanced polymer technology which makes it corrosion free.
- **Exceptional strength:** Reinforced glass fiber, which gives extra strength, durability & provides the best resistance to impact, corrosion & chemicals. underdrain flutes made with poly propylene glass filled for extended life.
- **Best in class features with leading-edge performance:** Advanced design of under drain system to get optimum performance, comes with high-quality 'Automat' ball valves & butterfly valves for ease of operation.
- **Anti-clogging:** New advanced design of flutes which minimize clogging & reduces the pressure drop in the filter.
- **Lightweight & durable:** 45% less weight as compared to metal filters with equivalent strength & capacity per volume.
- **All-weather compatible:** The filter works efficiently even in high humidity areas.
- **Trouble-free maintenance:** Large service ports for easy maintenance.
- **Automation:** MachClean media filters can operate in either manual or automatic modes.

Automatic Twin Sand Media Filter

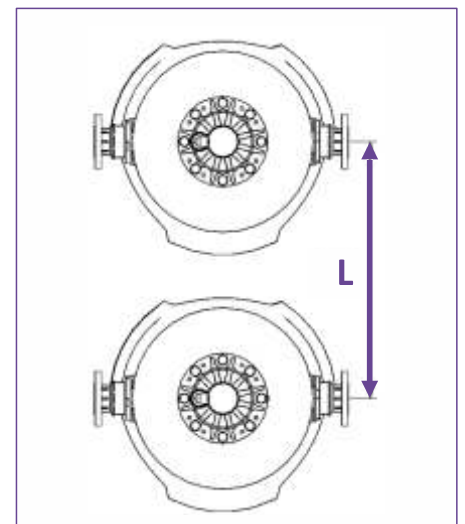


Filter Components & Dimensions



Dimensions (mm)

SIZES	A	B	C	D	L
20" (HT-563)	1260	420	510	610	720
24" (HT-566)	1300	420	520	650	830
30" (HT-567)	1360	380	570	820	980



Distance between two filters

Technical Specification

Body Diameter X No. Of Tanks	Manifold Inlet/ outlet	By-pass Line	Nominal Flow Per Tank	Maximum Flow Per Array	Backflush Flow	Empty Tank Weight Per Tank	Empty Tank Volume Per Tank	Sand Bed Height		Sand Quantity Per Tank	End Connection Type for Manifold
Inch X Nos.	Inch	Inch	m ³ /hr	m ³ /hr	m ³ /hr	Kgs	Liter	mm	inch	Kgs	
20 X 2	3	2	25	50	12~14	43	145	400	15 ^{3/4}	150	Flanged / Grooved
24 X 2	4	2	40	80	14~16	52	230	400	15 ^{3/4}	200	Flanged / Grooved
30 X 2	4	2	50	100	16~18	68	320	370	14 ^{9/16}	350	Flanged / Grooved
Maximum Working Pressure – 6 Kg/cm ²											
Material of Construction :- FRP, EPDM, PPGF											

Backflushing Data

Flushing Cycle Time* (Seconds)	90 Seconds
Back Flushing frequency*	Once every 3 hrs
Minimum Backwash Pressure	1.5 kg/cm ²

Note:- *No. of cycles per day, depends on quality of water. But at least one cycle of back flushing is strongly recommended after every irrigation cycles.



AUTOMAT IRRIGATION PRIVATE LIMITED

Website: www.automatworld.com | e-mail: contactus@automatworld.com



<https://www.facebook.com/automatindustries>



<https://www.youtube.com/automatindustries>